

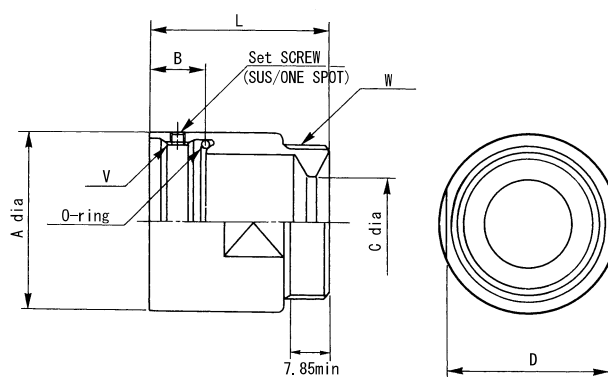
## ■ Accessories

### Waterproof Straight Back Shell

#### CE05-□□BS-S-D

Material/Finish···Aluminum alloy/Black chromate finish

CE05-□□BS-S-D is a waterproof backshell to hold a length of cable when no conduit is used.



Shell Size	P/N	L	A	B	C	D	Threads V	Threads W
10SL	CE05-10SLBS-S-D	20.0	18.6	6.5	6.6	17.9	$\frac{9}{16}$ -24UNEF-2B	$\frac{5}{8}$ -24UNEF-2A
18	CE05-18BS-S-D	31.0	32.1	10.5	16.3	26.7	1-20UNEF-2B	1-20UNEF-2A
20	CE05-20BS-S-D	35.0	35.2	10.9	17.8	31.6	1 $\frac{1}{8}$ -18UNEF-2B	1 $\frac{3}{16}$ -18UNEF-2A
22	CE05-22BS-S-D	35.0	38.3	10.9	17.8	32.4	1 $\frac{1}{4}$ -18UNEF-2B	1 $\frac{3}{16}$ -18UNEF-2A
24	CE05-24BS-S-D	40.5	42.0	12.2	21.0	36.6	1 $\frac{3}{8}$ -18UNEF-2B	1 $\frac{7}{16}$ -18UNEF-2A
32	CE05-32BS-S-D	46.0	54.2	11.7	25.8	47.3	1 $\frac{7}{8}$ -16UN-2B	1 $\frac{3}{4}$ -18UNS-2A